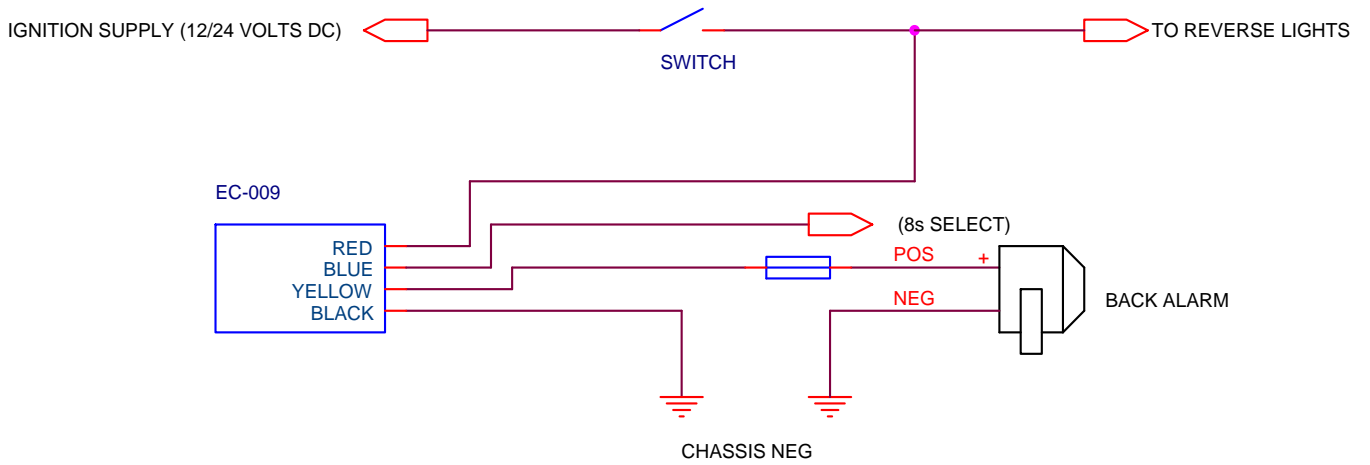


EC-009 (AUTO-OVERRIDE TIMER)



NOTES:

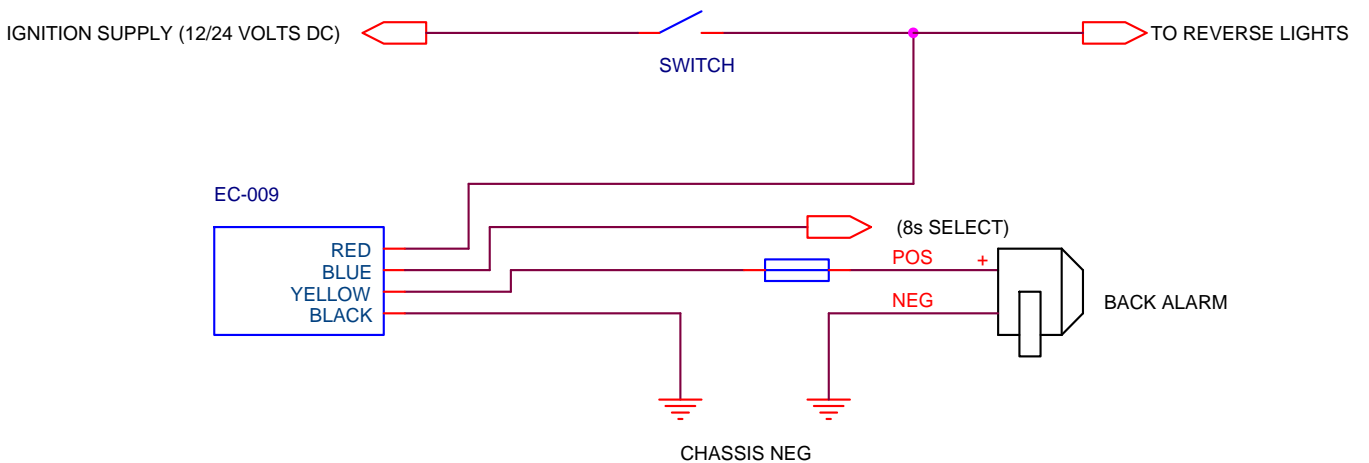
EC - 009 AUTO-OVERRIDE TIMER  
(DIAGRAM SHOWS STD 4s WIRING)

SWITCH = REVERSE GEAR SWITCH  
EC - 009 WILL OPERATE ON 12 OR 24 VOLTS  
FOR 8s TIMER CONNECT BLUE WIRE TO POSITIVE

WHEN POWER IS APPLIED THE BACKALARM WILL SOUND FOR 4 OR 8 SECONDS  
AFTER TIME OUT BACKALARM WILL NOT SOUND UNTIL UNIT IS RESET



EC-009 (AUTO-OVERRIDE TIMER)



NOTES:

EC - 009 AUTO-OVERRIDE TIMER  
(DIAGRAM SHOWS STD 4s WIRING)

SWITCH = REVERSE GEAR SWITCH  
EC - 009 WILL OPERATE ON 12 OR 24 VOLTS  
FOR 8s TIMER CONNECT BLUE WIRE TO POSITIVE

WHEN POWER IS APPLIED THE BACKALARM WILL SOUND FOR 4 OR 8 SECONDS  
AFTER TIME OUT BACKALARM WILL NOT SOUND UNTIL UNIT IS RESET

